



POMPE PER VUOTO

GRIPPERS

VENTOSE A SOFFIETTO SERIE M

Ventose da 4 a 19,99

Bellows Cups from 4 to 19,99





Oltre alle pompe per vuoto è nata l'esigenza di soddisfare le richieste dei clienti di fornitura di ventose.

Siamo in contatto con molti produttori così da ricambiare le ventose già da Voi utilizzate. Abbiamo anche una ns. linea di ventose, serie M, economiche e di elevate performance. Contattaci per dei preventivi o per un contatto con un nostro tecnico.

More than Vacuum Pumps, Customers ask more and more frequently to TBF many different type of grippers. TBF are in contact to many brand and manufacturer so we can offer the some grippers you already use (1:1). But now we also have our new line of grippers, M series, cheap and with high performance and durability. Contact us for any further information or for a quote.





Disponiamo di un gran numero di materiali tra cui NBR, Silicone, Poliuretano, Para Naturale e molti altri. Oltre alla forma della ventosa è importante scegliere il materiale migliore per la Vs applicazione.

We have more and more materials for our grippers, for example: NBR, Silicone Rubber, Polyrethan, Natural Rubber and each others. It's very important choose the best material for your application as the shape.





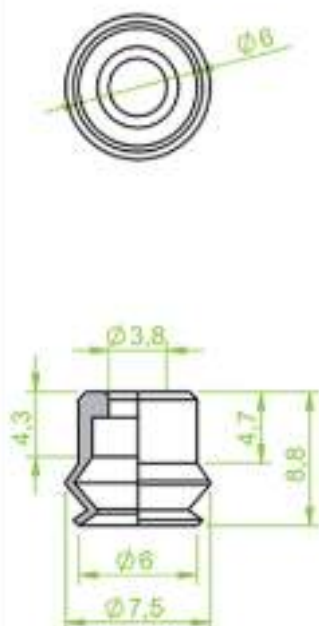


220.004.042._						
	Materialcode 02 Silikon					
	<table border="1"> <thead> <tr> <th>Halter Fitting</th> <th>Gewinde Thread</th> </tr> </thead> <tbody> <tr> <td>130.104</td> <td>M 6 AG</td> </tr> <tr> <td>130.134</td> <td>M5 AG</td> </tr> </tbody> </table>	Halter Fitting	Gewinde Thread	130.104	M 6 AG	130.134
Halter Fitting	Gewinde Thread					
130.104	M 6 AG					
130.134	M5 AG					
3mm	0.3g					

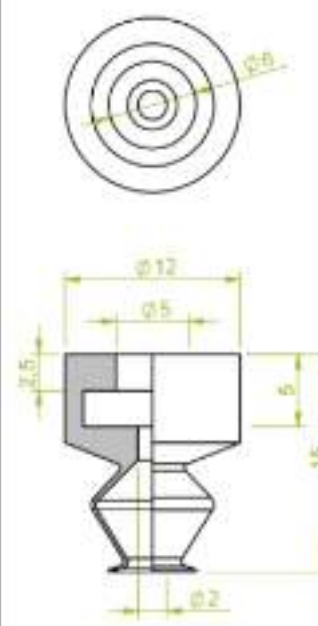


220.004.135._				
	Materialcode V Vinyl			
	<table border="1"> <thead> <tr> <th>Halter Fitting</th> <th>Gewinde Thread</th> </tr> </thead> <tbody> <tr> <td></td> <td></td> </tr> </tbody> </table>	Halter Fitting	Gewinde Thread	
Halter Fitting	Gewinde Thread			
mm	0.0g			

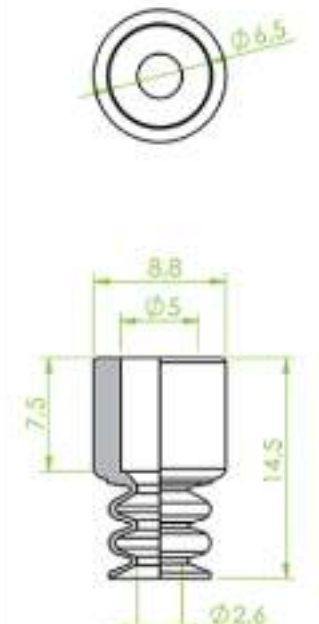


220.005.017._						
	Materialcode 04 CR 06 EPDM 07 FKM 09 HNBR					
	<table border="1"> <thead> <tr> <th>Halter Fitting</th> <th>Gewinde Thread</th> </tr> </thead> <tbody> <tr> <td>130.104</td> <td>M 6 AG</td> </tr> <tr> <td>130.134</td> <td>M5 AG</td> </tr> </tbody> </table>	Halter Fitting	Gewinde Thread	130.104	M 6 AG	130.134
Halter Fitting	Gewinde Thread					
130.104	M 6 AG					
130.134	M5 AG					
3mm	0.3g					

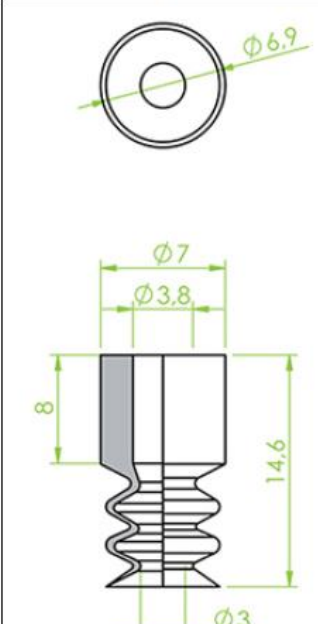


220.005.034._										
	Materialcode 04 CR 07 FKM 09 HNBR 03 NR									
	<table border="1"> <thead> <tr> <th>Halter Fitting</th> <th>Gewinde Thread</th> </tr> </thead> <tbody> <tr> <td>130.005</td> <td>M5 IG</td> </tr> <tr> <td>130.007</td> <td>1/8" IG</td> </tr> <tr> <td>130.009</td> <td>1/8" AG</td> </tr> <tr> <td>130.010</td> <td>M5 AG</td> </tr> </tbody> </table>	Halter Fitting	Gewinde Thread	130.005	M5 IG	130.007	1/8" IG	130.009	1/8" AG	130.010
Halter Fitting	Gewinde Thread									
130.005	M5 IG									
130.007	1/8" IG									
130.009	1/8" AG									
130.010	M5 AG									
3mm	0.2g									

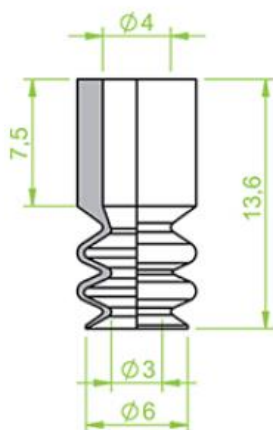
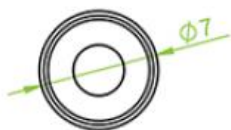


210.006.074._	
	Materialcode
	01 NBR 02 Silikon
Halter Fitting	Gewinde Thread
130.009 130.200 130.301	1/8" AG M5 AG M5 AG
	
5mm	0.0g

210.006.075._	
	Materialcode
	01 NBR 02 Silikon
Halter Fitting	Gewinde Thread
130.200	M5 AG
	
5mm	0.7g

220.006.032._	
	Materialcode
	07 FKM 08 HNBR 03 NR 05 Polyurethan
Halter Fitting	Gewinde Thread
130.003 130.015 130.024 130.103 130.204	1/8" AG 1/8" IG M5 AG M 6 AG 1/4" AG
	
3.5mm	0.4g

220.006.033._	
	Materialcode
	02 Silikon
Halter Fitting	Gewinde Thread
130.003	1/8" AG
	
3.5mm	0.4g

**220.006.125._****Materialcode**09 HNBR
05 Polyurethan
02 Silikon**Halter
Fitting****Gewinde
Thread**130.003 1/8" AG
130.015 1/8" IG
130.024 M5 AG
130.103 M 6 AG
130.104 M 6 AG
130.134 M5 AG
130.204 1/4" AG

3.5mm



0.4g

220.006.127._**Materialcode**

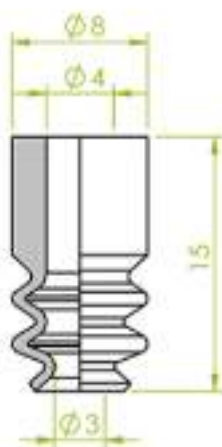
02 Silikon

**Halter
Fitting****Gewinde
Thread**130.003 1/8" AG
130.015 1/8" IG
130.024 M5 AG
130.104 M 6 AG
130.134 M5 AG

3.5mm



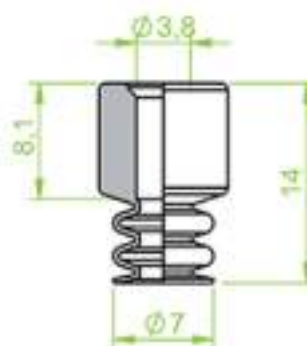
0.4g

220.007.007._**Materialcode**04 CR
06 EPDM
09 HNBR
01 NBR**Halter
Fitting****Gewinde
Thread**130.005 M5 IG
130.007 1/8" IG
130.009 1/8" AG
130.010 M5 AG
130.536 M5 AG

3mm



0.2g

220.007.123._**Materialcode**07 FKM
09 HNBR
05 Polyurethan
02 Silikon**Halter
Fitting****Gewinde
Thread**130.013 M5 AG
130.134 M5 AG

3mm



0.5g



210.007.076._

Materialcode	
V Vinyl	
Halter Fitting	Gewinde Thread
130.001	M5 AG
mm	0.0g

210.007.077._

Materialcode	
09 HNBR 02 Silikon	
Halter Fitting	Gewinde Thread
130.087 130.103 130.104 130.317	1/8" AG M 6 AG M 6 AG M5 AG
2mm	0.6g

210.007.168._

Materialcode	
02 Silikon	
Halter Fitting	Gewinde Thread
130.134	M5 AG
1mm	0.3g

210.008.010._

Materialcode	
07 FKM 09 HNBR 03 NR 05 Polyurethan	
Halter Fitting	Gewinde Thread
130.153 130.591	M5 AG M5 AG
3.5mm	0.2g



210.008.078._	
	Materialcode
	02 Silikon
Halter Fitting	Gewinde Thread
130.200	M5 AG
5mm	0.9g

210.008.160._	
	Materialcode
	01 NBR 02 Silikon
Halter Fitting	Gewinde Thread
130.009 130.301 130.538	1/8" AG M5 AG M5 AG
3mm	0.2g

220.008.025._	
	Materialcode
	06 EPDM 07 FKM 02 Silikon
Halter Fitting	Gewinde Thread
130.003 130.015 130.104 130.134 130.536	1/8" AG 1/8" IG M 6 AG M5 AG M5 AG
4mm	1.0g

220.009.015._	
	Materialcode
	04 CR 06 EPDM 07 FKM 09 HNBR
Halter Fitting	Gewinde Thread
130.003 130.013 130.015 130.103 130.536	1/8" AG M5 AG 1/8" IG M 6 AG 1/8" AG
2mm	0.6g



220.009.045._										
	Materialcode 02 Silikon									
	<table border="1"> <thead> <tr> <th>Halter Fitting</th> <th>Gewinde Thread</th> </tr> </thead> <tbody> <tr> <td>130.003</td> <td>1/8" AG</td> </tr> <tr> <td>130.013</td> <td>M5 AG</td> </tr> <tr> <td>130.015</td> <td>1/8" IG</td> </tr> <tr> <td>130.103</td> <td>M 6 AG</td> </tr> </tbody> </table>	Halter Fitting	Gewinde Thread	130.003	1/8" AG	130.013	M5 AG	130.015	1/8" IG	130.103
Halter Fitting	Gewinde Thread									
130.003	1/8" AG									
130.013	M5 AG									
130.015	1/8" IG									
130.103	M 6 AG									
3.5mm	0.6g									

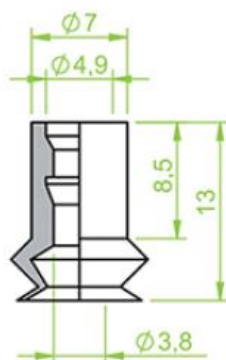
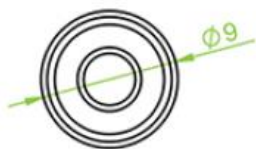
220.009.046._										
	Materialcode 05 Polyurethan									
	<table border="1"> <thead> <tr> <th>Halter Fitting</th> <th>Gewinde Thread</th> </tr> </thead> <tbody> <tr> <td>130.033</td> <td>1/8" AG</td> </tr> <tr> <td>130.104</td> <td>M 6 AG</td> </tr> <tr> <td>130.134</td> <td>M5 AG</td> </tr> <tr> <td>130.317</td> <td>M5 AG</td> </tr> </tbody> </table>	Halter Fitting	Gewinde Thread	130.033	1/8" AG	130.104	M 6 AG	130.134	M5 AG	130.317
Halter Fitting	Gewinde Thread									
130.033	1/8" AG									
130.104	M 6 AG									
130.134	M5 AG									
130.317	M5 AG									
mm	0.0g									

220.009.105._										
	Materialcode 09 HNBR 03 NR 05 Polyurethan 02 Silikon									
	<table border="1"> <thead> <tr> <th>Halter Fitting</th> <th>Gewinde Thread</th> </tr> </thead> <tbody> <tr> <td>130.003</td> <td>1/8" AG</td> </tr> <tr> <td>130.015</td> <td>1/8" IG</td> </tr> <tr> <td>130.103</td> <td>M 6 AG</td> </tr> <tr> <td>130.134</td> <td>M5 AG</td> </tr> </tbody> </table>	Halter Fitting	Gewinde Thread	130.003	1/8" AG	130.015	1/8" IG	130.103	M 6 AG	130.134
Halter Fitting	Gewinde Thread									
130.003	1/8" AG									
130.015	1/8" IG									
130.103	M 6 AG									
130.134	M5 AG									
2mm	0.6g									

210.009.166._				
	Materialcode 07 FKM 09 HNBR 01 NBR 02 Silikon			
	<table border="1"> <thead> <tr> <th>Halter Fitting</th> <th>Gewinde Thread</th> </tr> </thead> <tbody> <tr> <td>130.134</td> <td>M5 AG</td> </tr> </tbody> </table>	Halter Fitting	Gewinde Thread	130.134
Halter Fitting	Gewinde Thread			
130.134	M5 AG			
3mm	0.3g			



210.009.202._



Materialcode

01 NBR

Halter
FittingGewinde
Thread

130.153

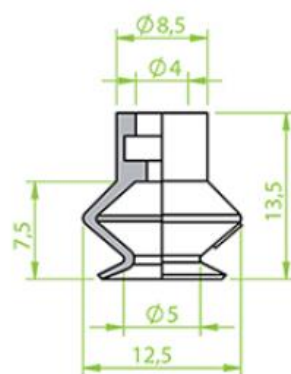
M5 AG



mm

0.0g

210.010.008._



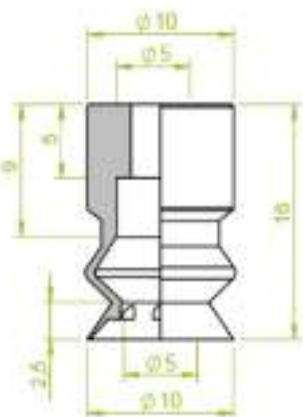
Materialcode

04 CR
09 HNBR
03 NR
05 PolyurethanHalter
FittingGewinde
Thread130.009
130.3011/8" AG
M5 AG

4mm

0.7g

210.010.036._



Materialcode

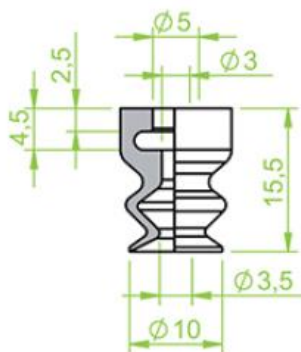
02 Silikon

Halter
FittingGewinde
Thread130.104
130.134M 6 AG
M5 AG

4.5mm

0.8g

210.010.080._



Materialcode

01 NBR

Halter
FittingGewinde
Thread130.003
130.2001/8" AG
M5 AG

mm

0.0g



210.010.081._				
	Materialcode 04 CR 09 HNBR 03 NR 05 Polyurethan			
	<table border="1"> <thead> <tr> <th>Halter Fitting</th> <th>Gewinde Thread</th> </tr> </thead> <tbody> <tr> <td>130.094</td> <td>M5 AG</td> </tr> </tbody> </table>	Halter Fitting	Gewinde Thread	130.094
Halter Fitting	Gewinde Thread			
130.094	M5 AG			
2.5mm	1.0g			

210.010.184._								
	Materialcode 05 Polyurethan 02 Silikon							
	<table border="1"> <thead> <tr> <th>Halter Fitting</th> <th>Gewinde Thread</th> </tr> </thead> <tbody> <tr> <td>130.604</td> <td>M5 AG</td> </tr> <tr> <td>130.605</td> <td>1/8" AG</td> </tr> <tr> <td>130.608</td> <td>1/4" AG</td> </tr> </tbody> </table>	Halter Fitting	Gewinde Thread	130.604	M5 AG	130.605	1/8" AG	130.608
Halter Fitting	Gewinde Thread							
130.604	M5 AG							
130.605	1/8" AG							
130.608	1/4" AG							
3.5mm	1.8g							

220.010.014._														
	Materialcode 07 FKM 05 Polyurethan 02 Silikon													
	<table border="1"> <thead> <tr> <th>Halter Fitting</th> <th>Gewinde Thread</th> </tr> </thead> <tbody> <tr> <td>130.003</td> <td>1/8" AG</td> </tr> <tr> <td>130.005</td> <td>M5 IG</td> </tr> <tr> <td>130.013</td> <td>M5 AG</td> </tr> <tr> <td>130.103</td> <td>M 6 AG</td> </tr> <tr> <td>130.109</td> <td>1/8" IG</td> </tr> <tr> <td>130.134</td> <td>M5 AG</td> </tr> </tbody> </table>	Halter Fitting	Gewinde Thread	130.003	1/8" AG	130.005	M5 IG	130.013	M5 AG	130.103	M 6 AG	130.109	1/8" IG	130.134
Halter Fitting	Gewinde Thread													
130.003	1/8" AG													
130.005	M5 IG													
130.013	M5 AG													
130.103	M 6 AG													
130.109	1/8" IG													
130.134	M5 AG													
4mm	0.8g													

220.010.019._																
	Materialcode 02 Silikon															
	<table border="1"> <thead> <tr> <th>Halter Fitting</th> <th>Gewinde Thread</th> </tr> </thead> <tbody> <tr> <td>130.003</td> <td>1/8" AG</td> </tr> <tr> <td>130.005</td> <td>M5 IG</td> </tr> <tr> <td>130.013</td> <td>M5 AG</td> </tr> <tr> <td>130.015</td> <td>1/8" IG</td> </tr> <tr> <td>130.103</td> <td>M 6 AG</td> </tr> <tr> <td>130.109</td> <td>1/8" IG</td> </tr> <tr> <td>130.238</td> <td>1/8" AG</td> </tr> </tbody> </table>	Halter Fitting	Gewinde Thread	130.003	1/8" AG	130.005	M5 IG	130.013	M5 AG	130.015	1/8" IG	130.103	M 6 AG	130.109	1/8" IG	130.238
Halter Fitting	Gewinde Thread															
130.003	1/8" AG															
130.005	M5 IG															
130.013	M5 AG															
130.015	1/8" IG															
130.103	M 6 AG															
130.109	1/8" IG															
130.238	1/8" AG															
4mm	0.8g															



220.010.020._	
	Materialcode
	V Vinyl
Halter Fitting	Gewinde Thread
130.001	M5 AG
mm	0.0g

220.010.021._	
	Materialcode
	09 HNBR 03 NR 05 Polyurethan 02 Silikon
Halter Fitting	Gewinde Thread
130.013 130.103 130.109 130.238	M5 AG M 6 AG 1/8" IG 1/8" AG
3mm	0.6g

220.010.029._	
	Materialcode
	V Vinyl
Halter Fitting	Gewinde Thread
130.013 130.103 130.109 130.238	M5 AG M 6 AG 1/8" IG 1/8" AG
mm	0.0g

220.010.048._	
	Materialcode
	V Vinyl
Halter Fitting	Gewinde Thread
130.541	1/8" AG
mm	0.0g



220.010.096._																			
	<table border="1"><thead><tr><th colspan="2">Materialcode</th></tr></thead><tbody><tr><td colspan="2">12 verstärktes Silikon</td></tr></tbody></table> <table border="1"><thead><tr><th>Halter Fitting</th><th>Gewinde Thread</th></tr></thead><tbody><tr><td>130.013</td><td>M5 AG</td></tr><tr><td>130.103</td><td>M 6 AG</td></tr><tr><td>130.109</td><td>1/8" IG</td></tr><tr><td>130.238</td><td>1/8" AG</td></tr></tbody></table> <table border="1"><tbody><tr><td></td><td></td></tr><tr><td>5mm</td><td>0.8g</td></tr></tbody></table>	Materialcode		12 verstärktes Silikon		Halter Fitting	Gewinde Thread	130.013	M5 AG	130.103	M 6 AG	130.109	1/8" IG	130.238	1/8" AG			5mm	0.8g
Materialcode																			
12 verstärktes Silikon																			
Halter Fitting	Gewinde Thread																		
130.013	M5 AG																		
130.103	M 6 AG																		
130.109	1/8" IG																		
130.238	1/8" AG																		
5mm	0.8g																		

220.010.124._																			
	<table border="1"><thead><tr><th colspan="2">Materialcode</th></tr></thead><tbody><tr><td colspan="2">02 Silikon</td></tr></tbody></table> <table border="1"><thead><tr><th>Halter Fitting</th><th>Gewinde Thread</th></tr></thead><tbody><tr><td>130.013</td><td>M5 AG</td></tr><tr><td>130.103</td><td>M 6 AG</td></tr><tr><td>130.109</td><td>1/8" IG</td></tr><tr><td>130.238</td><td>1/8" AG</td></tr></tbody></table> <table border="1"><tbody><tr><td></td><td></td></tr><tr><td>4mm</td><td>0.6g</td></tr></tbody></table>	Materialcode		02 Silikon		Halter Fitting	Gewinde Thread	130.013	M5 AG	130.103	M 6 AG	130.109	1/8" IG	130.238	1/8" AG			4mm	0.6g
Materialcode																			
02 Silikon																			
Halter Fitting	Gewinde Thread																		
130.013	M5 AG																		
130.103	M 6 AG																		
130.109	1/8" IG																		
130.238	1/8" AG																		
4mm	0.6g																		

220.010.126._																			
	<table border="1"><thead><tr><th colspan="2">Materialcode</th></tr></thead><tbody><tr><td colspan="2">05 Polyurethan 02 Silikon</td></tr></tbody></table> <table border="1"><thead><tr><th>Halter Fitting</th><th>Gewinde Thread</th></tr></thead><tbody><tr><td>130.013</td><td>M5 AG</td></tr><tr><td>130.103</td><td>M 6 AG</td></tr><tr><td>130.109</td><td>1/8" IG</td></tr><tr><td>130.238</td><td>1/8" AG</td></tr></tbody></table> <table border="1"><tbody><tr><td></td><td></td></tr><tr><td>3mm</td><td>1.0g</td></tr></tbody></table>	Materialcode		05 Polyurethan 02 Silikon		Halter Fitting	Gewinde Thread	130.013	M5 AG	130.103	M 6 AG	130.109	1/8" IG	130.238	1/8" AG			3mm	1.0g
Materialcode																			
05 Polyurethan 02 Silikon																			
Halter Fitting	Gewinde Thread																		
130.013	M5 AG																		
130.103	M 6 AG																		
130.109	1/8" IG																		
130.238	1/8" AG																		
3mm	1.0g																		

240.010.011._																			
	<table border="1"><thead><tr><th colspan="2">Materialcode</th></tr></thead><tbody><tr><td colspan="2">02 Silikon</td></tr></tbody></table> <table border="1"><thead><tr><th>Halter Fitting</th><th>Gewinde Thread</th></tr></thead><tbody><tr><td>130.005</td><td>M5 IG</td></tr><tr><td>130.007</td><td>1/8" IG</td></tr><tr><td>130.009</td><td>1/8" AG</td></tr><tr><td>130.010</td><td>M5 AG</td></tr></tbody></table> <table border="1"><tbody><tr><td></td><td></td></tr><tr><td>4mm</td><td>2.0g</td></tr></tbody></table>	Materialcode		02 Silikon		Halter Fitting	Gewinde Thread	130.005	M5 IG	130.007	1/8" IG	130.009	1/8" AG	130.010	M5 AG			4mm	2.0g
Materialcode																			
02 Silikon																			
Halter Fitting	Gewinde Thread																		
130.005	M5 IG																		
130.007	1/8" IG																		
130.009	1/8" AG																		
130.010	M5 AG																		
4mm	2.0g																		



240.010.028._										
	Materialcode 09 HNBR 02 Silikon									
	<table border="1"> <thead> <tr> <th>Halter Fitting</th> <th>Gewinde Thread</th> </tr> </thead> <tbody> <tr> <td>130.013</td> <td>M5 AG</td> </tr> <tr> <td>130.103</td> <td>M 6 AG</td> </tr> <tr> <td>130.109</td> <td>1/8" IG</td> </tr> <tr> <td>130.238</td> <td>1/8" AG</td> </tr> </tbody> </table>	Halter Fitting	Gewinde Thread	130.013	M5 AG	130.103	M 6 AG	130.109	1/8" IG	130.238
Halter Fitting	Gewinde Thread									
130.013	M5 AG									
130.103	M 6 AG									
130.109	1/8" IG									
130.238	1/8" AG									
7mm	0.7g									

220.011.008._										
	Materialcode 09 HNBR 02 Silikon									
	<table border="1"> <thead> <tr> <th>Halter Fitting</th> <th>Gewinde Thread</th> </tr> </thead> <tbody> <tr> <td>130.003</td> <td>1/8" AG</td> </tr> <tr> <td>130.015</td> <td>1/8" IG</td> </tr> <tr> <td>130.104</td> <td>M 6 AG</td> </tr> <tr> <td>130.134</td> <td>M5 AG</td> </tr> </tbody> </table>	Halter Fitting	Gewinde Thread	130.003	1/8" AG	130.015	1/8" IG	130.104	M 6 AG	130.134
Halter Fitting	Gewinde Thread									
130.003	1/8" AG									
130.015	1/8" IG									
130.104	M 6 AG									
130.134	M5 AG									
5mm	1.0g									

210.011.001._														
	Materialcode 04 CR 07 FKM 09 HNBR 05 Polyurethan													
	<table border="1"> <thead> <tr> <th>Halter Fitting</th> <th>Gewinde Thread</th> </tr> </thead> <tbody> <tr> <td>130.003</td> <td>1/8" AG</td> </tr> <tr> <td>130.015</td> <td>1/8" IG</td> </tr> <tr> <td>130.104</td> <td>M 6 AG</td> </tr> <tr> <td>130.134</td> <td>M5 AG</td> </tr> <tr> <td>130.153</td> <td>M5 AG</td> </tr> <tr> <td>130.591</td> <td>M5 AG</td> </tr> </tbody> </table>	Halter Fitting	Gewinde Thread	130.003	1/8" AG	130.015	1/8" IG	130.104	M 6 AG	130.134	M5 AG	130.153	M5 AG	130.591
Halter Fitting	Gewinde Thread													
130.003	1/8" AG													
130.015	1/8" IG													
130.104	M 6 AG													
130.134	M5 AG													
130.153	M5 AG													
130.591	M5 AG													
5mm	0.8g													

210.011.018._										
	Materialcode 09 HNBR 01 NDR 03 NR 05 Polyurethan									
	<table border="1"> <thead> <tr> <th>Halter Fitting</th> <th>Gewinde Thread</th> </tr> </thead> <tbody> <tr> <td>130.003</td> <td>1/8" AG</td> </tr> <tr> <td>130.013</td> <td>M5 AG</td> </tr> <tr> <td>130.015</td> <td>1/8" IG</td> </tr> <tr> <td>130.103</td> <td>M 6 AG</td> </tr> </tbody> </table>	Halter Fitting	Gewinde Thread	130.003	1/8" AG	130.013	M5 AG	130.015	1/8" IG	130.103
Halter Fitting	Gewinde Thread									
130.003	1/8" AG									
130.013	M5 AG									
130.015	1/8" IG									
130.103	M 6 AG									
4.5mm	0.8g									



210.011.025._

Materialcode	
02 Silikon	
Halter Fitting	Gewinde Thread
130.003	1/8" AG
130.015	1/8" IG
130.104	M 6 AG
130.134	M 5 AG
mm	0.0g

210.011.029._

Materialcode	
05 Polyurethan	
Halter Fitting	Gewinde Thread
130.003	1/8" AG
130.015	1/8" IG
130.104	M 6 AG
130.134	M 5 AG
5mm	0.6g

210.011.082._

Materialcode	
02 Silikon	
Halter Fitting	Gewinde Thread
130.087	1/8" AG
130.134	M 5 AG
mm	0.0g

210.011.083._

Materialcode	
02 Silikon	
Halter Fitting	Gewinde Thread
130.003	1/8" AG
130.015	1/8" IG
130.104	M 6 AG
130.134	M 5 AG
4mm	1.0g



210.011.141._	
	Materialcode
	04 CR 09 HNBR 05 Polyurethan 02 Silikon
Halter Fitting	Gewinde Thread
130.003 130.013 130.015 130.103	1/8" AG M5 AG 1/8" IG M 6 AG
4.5mm	0.8g

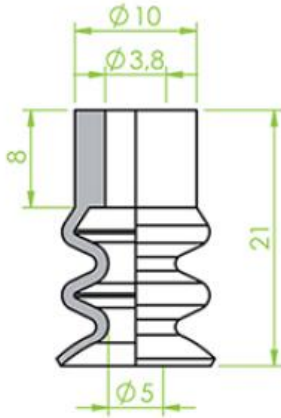
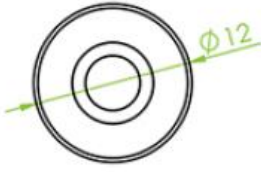
210.011.176._	
	Materialcode
	02 Silikon
Halter Fitting	Gewinde Thread
130.087 130.134	1/8" AG M5 AG
mm	0.0g

220.012.011._	
	Materialcode
	04 CR 07 FKM 09 HNBR 03 NR
Halter Fitting	Gewinde Thread
130.013 130.134 130.194 130.238	M5 AG M5 AG 1/4" AG 1/8" AG
8.5mm	1.0g

220.012.024._	
	Materialcode
	03 NR 02 Silikon
Halter Fitting	Gewinde Thread
130.238	1/8" AG
6mm	1.2g



220.012.108._



Materialcode

04 CR
09 HNBR
03 NR
05 Polyurethan

Halter
FittingGewinde
Thread

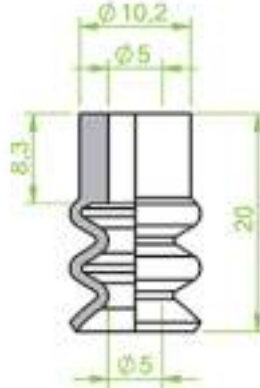
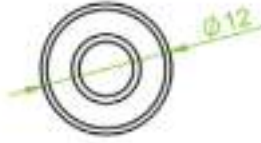
130.013 M5 AG
130.194 1/4" AG
130.238 1/8" AG



7mm

1.3g

220.012.122._



Materialcode

01 NBR

Halter
FittingGewinde
Thread

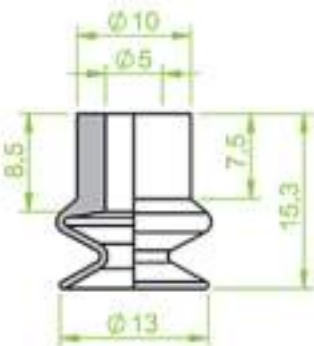
130.003 1/8" AG
130.005 M5 IG
130.013 M5 AG
130.015 1/8" IG
130.103 M 6 AG



0.7mm

1.0g

210.013.003._



Materialcode

04 CR
07 FKM
09 HNBR
03 NR

Halter
FittingGewinde
Thread

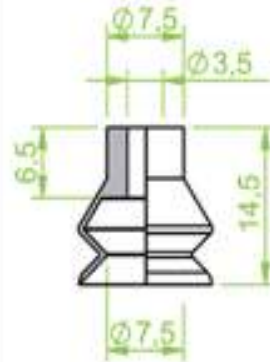
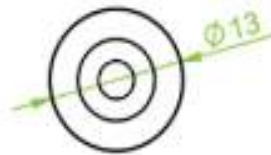
130.003 1/8" AG
130.013 M5 AG
130.015 1/8" IG
130.087 1/8" AG
130.103 M 6 AG
130.317 M5 AG



4mm

1.0g

210.013.013._



Materialcode

05 Polyurethan
02 Silikon
V Vinyl

Halter
FittingGewinde
Thread



130.010 M5 AG
130.033 1/8" AG
130.087 1/8" AG
130.317 M5 AG

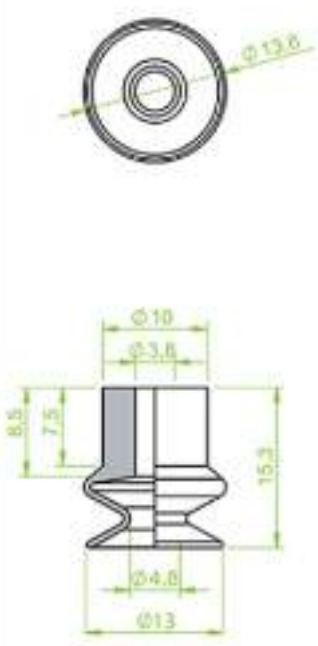




5mm

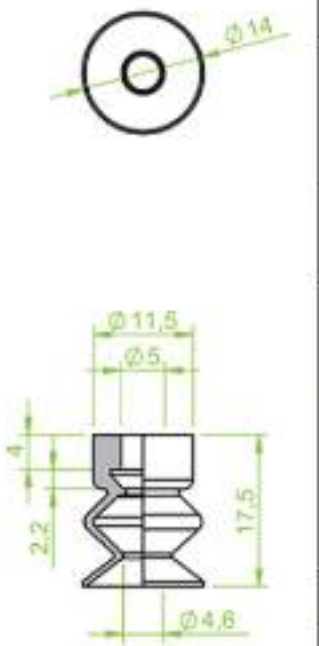
0.5g





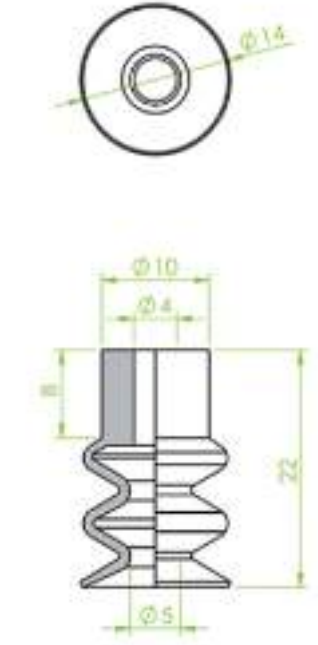
210.013.201._	
Materialcode	
04 CR 09 HNBR 03 NR 05 Polyurethan	
Halter Fitting	Gewinde Thread
130.033	1/8" AG
130.087	1/8" AG
130.104	M 6 AG
130.134	M5 AG
130.317	M5 AG
	
4mm	1.0g






210.014.064._	
Materialcode	
07 FKM 09 HNBR 03 NR 05 Polyurethan	
Halter Fitting	Gewinde Thread
130.003	1/8" AG
130.013	M5 AG
130.103	M 6 AG
	
8mm	1.1g



220.014.009._	
Materialcode	
04 CR 06 EPDM 09 HNBR 03 NR	
Halter Fitting	Gewinde Thread
130.003	1/8" AG
130.013	M5 AG
130.015	1/8" IG
130.103	M 6 AG
	
1.2mm	1.3g

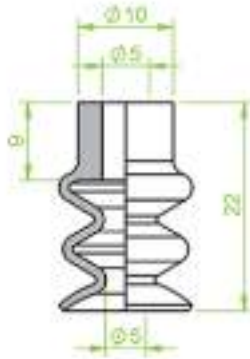


220.014.013._	
Materialcode	
04 CR 09 HNBR 12 verstärktes Silikon	
Halter Fitting	Gewinde Thread
130.003	1/8" AG
130.005	M5 IG
130.104	M 6 AG
130.134	M5 AG
130.347	M5 IG
	
9mm	1.0g





220.014.016._



Materialcode

04 CR
06 EPDM
07 FKM
09 HNBR

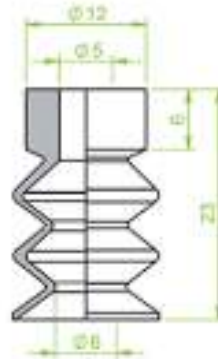
Halter Fitting	Gewinde Thread
-------------------	-------------------

130.003	1/8" AG
130.013	M5 AG
130.015	1/8" IG
130.103	M 6 AG
130.539	1/8" AG



12mm 1.3g

220.014.023._



Materialcode

06 EPDM
07 FKM
09 HNBR
03 NR

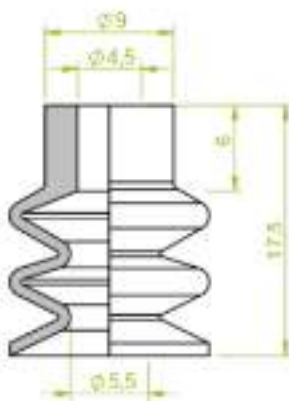
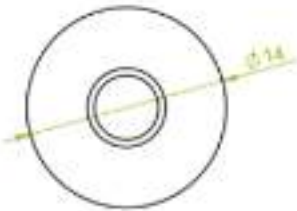
Halter Fitting	Gewinde Thread
-------------------	-------------------

130.003	1/8" AG
130.013	M5 AG
130.103	M 6 AG
130.108	1/8" IG
130.238	1/8" AG



10mm 1.4g

220.014.049._



Materialcode

05 Polyurethan

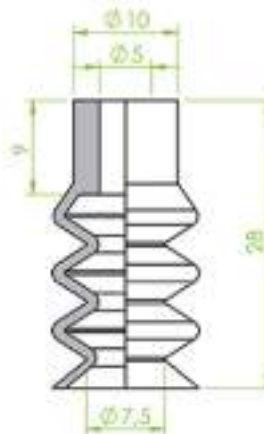
Halter Fitting	Gewinde Thread
-------------------	-------------------

130.024	M5 AG
130.033	1/8" AG
130.104	M 6 AG



mm 0.0g

230.014.013._



Materialcode

02 Silikon

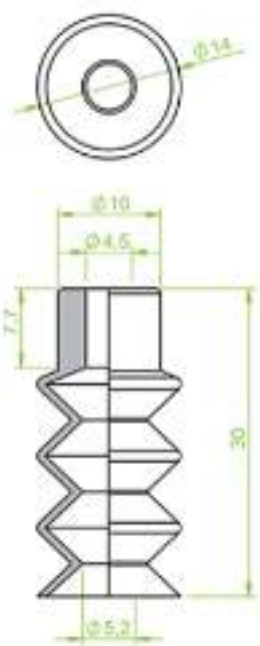


Halter Fitting	Gewinde Thread
-------------------	-------------------

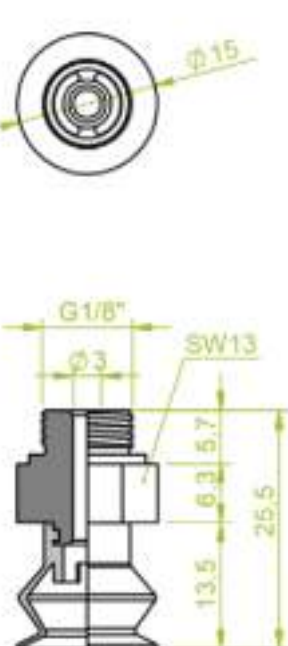


130.003	1/8" AG
130.013	M5 AG
130.033	1/8" AG
130.104	M 6 AG
130.134	M5 AG
130.194	1/4" AG
130.238	1/8" AG

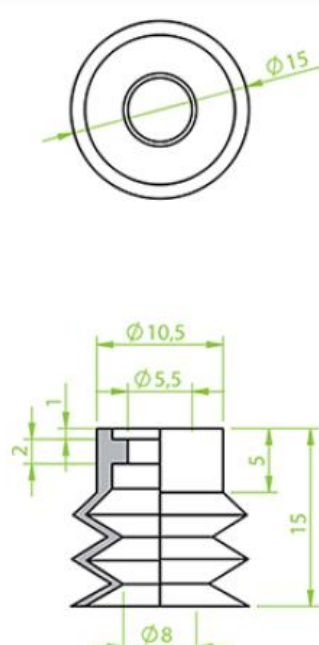





12.7mm 1.7g



230.014.026._	
	Materialcode
	02 Silikon
Halter Fitting	Gewinde Thread
130.013	M5 AG
130.087	1/8" AG
130.109	1/8" IG
	
15mm	1.8g

214.015.012._	
	Materialcode
	05 Polyurethan 02 Silikon
Halter Fitting	Gewinde Thread
	
5.5mm	11.0g

220.015.022._	
	Materialcode
	02 Silikon
Halter Fitting	Gewinde Thread
130.094	M5 AG
130.095	1/8" AG
130.096	1/8" IG
	
5mm	0.8g

220.015.053._	
	Materialcode
	02 Silikon 12 verstärktes Silikon
Halter Fitting	Gewinde Thread
130.113	1/4" AG
130.114	1/8" IG
	
7mm	1.6g



210.015.011._				
	Materialcode V Vinyl			
	<table border="1"> <thead> <tr> <th>Halter Fitting</th> <th>Gewinde Thread</th> </tr> </thead> <tbody> <tr> <td>130.033</td> <td>1/8" AG</td> </tr> </tbody> </table>	Halter Fitting	Gewinde Thread	130.033
Halter Fitting	Gewinde Thread			
130.033	1/8" AG			
mm	0.0g			

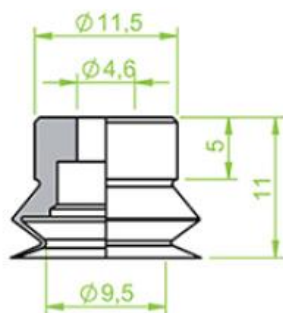
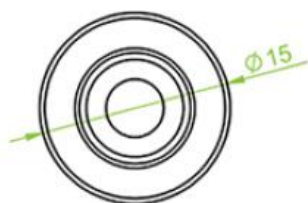
210.015.012._						
	Materialcode V Vinyl					
	<table border="1"> <thead> <tr> <th>Halter Fitting</th> <th>Gewinde Thread</th> </tr> </thead> <tbody> <tr> <td>130.033</td> <td>1/8" AG</td> </tr> <tr> <td>130.134</td> <td>M5 AG</td> </tr> </tbody> </table>	Halter Fitting	Gewinde Thread	130.033	1/8" AG	130.134
Halter Fitting	Gewinde Thread					
130.033	1/8" AG					
130.134	M5 AG					
5mm	0.8g					

210.015.015._						
	Materialcode 04 CR 07 FKM 09 HNBR 03 NR					
	<table border="1"> <thead> <tr> <th>Halter Fitting</th> <th>Gewinde Thread</th> </tr> </thead> <tbody> <tr> <td>130.009</td> <td>1/8" AG</td> </tr> <tr> <td>130.301</td> <td>M5 AG</td> </tr> </tbody> </table>	Halter Fitting	Gewinde Thread	130.009	1/8" AG	130.301
Halter Fitting	Gewinde Thread					
130.009	1/8" AG					
130.301	M5 AG					
5mm	0.7g					

210.015.052._				
	Materialcode 02 Silikon			
	<table border="1"> <thead> <tr> <th>Halter Fitting</th> <th>Gewinde Thread</th> </tr> </thead> <tbody> <tr> <td>130.200</td> <td>M5 AG</td> </tr> </tbody> </table>	Halter Fitting	Gewinde Thread	130.200
Halter Fitting	Gewinde Thread			
130.200	M5 AG			
7mm	1.5g			



210.015.084._



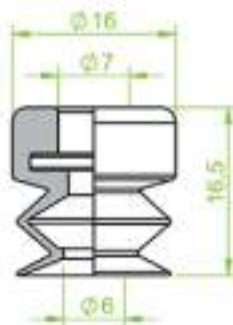
Materialcode

04 CR
07 FKM
09 HNBR
03 NRHalter
FittingGewinde
Thread130.301
130.310M5 AG
M5 AG

3.5mm

1.0g

210.015.143._



Materialcode

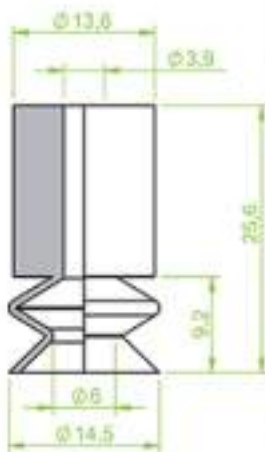
05 Polyurethan

Halter
FittingGewinde
Thread130.601
130.605
130.606M5 AG
1/8" AG
1/4" AG

6.5mm

1.8g

210.015.210._



Materialcode

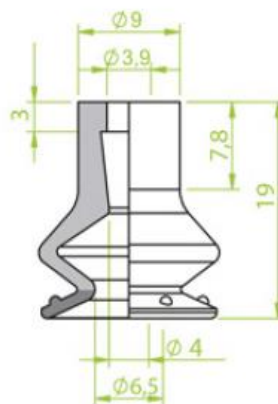
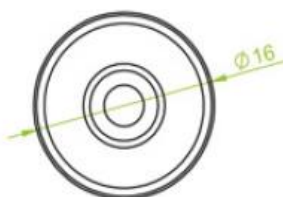
02 Silikon

Halter
FittingGewinde
Thread130.023
130.087
130.134M5 AG
1/8" AG
M5 AG

mm

0.0g

210.015.800._



Materialcode

05 Polyurethan
20 TPUHalter
FittingGewinde
Thread130.003
130.1341/8" AG
M5 AG

5.5mm

1.36g



210.016.002._										
	Materialcode 06 EPDM 09 HNBR 03 NR 05 Polyurethan									
	<table border="1"> <thead> <tr> <th>Halter Fitting</th> <th>Gewinde Thread</th> </tr> </thead> <tbody> <tr> <td>130.003</td> <td>1/8" AG</td> </tr> <tr> <td>130.013</td> <td>M5 AG</td> </tr> <tr> <td>130.015</td> <td>1/8" IG</td> </tr> <tr> <td>130.103</td> <td>M 6 AG</td> </tr> </tbody> </table>	Halter Fitting	Gewinde Thread	130.003	1/8" AG	130.013	M5 AG	130.015	1/8" IG	130.103
Halter Fitting	Gewinde Thread									
130.003	1/8" AG									
130.013	M5 AG									
130.015	1/8" IG									
130.103	M 6 AG									
6mm	1.2g									

210.016.009._										
	Materialcode 04 CR 09 HNBR 03 NR 05 Polyurethan									
	<table border="1"> <thead> <tr> <th>Halter Fitting</th> <th>Gewinde Thread</th> </tr> </thead> <tbody> <tr> <td>130.003</td> <td>1/8" AG</td> </tr> <tr> <td>130.015</td> <td>1/8" IG</td> </tr> <tr> <td>130.104</td> <td>M 6 AG</td> </tr> <tr> <td>130.134</td> <td>M5 AG</td> </tr> </tbody> </table>	Halter Fitting	Gewinde Thread	130.003	1/8" AG	130.015	1/8" IG	130.104	M 6 AG	130.134
Halter Fitting	Gewinde Thread									
130.003	1/8" AG									
130.015	1/8" IG									
130.104	M 6 AG									
130.134	M5 AG									
6mm	1.2g									

210.016.026._								
	Materialcode 04 CR 09 HNBR 03 NR 05 Polyurethan							
	<table border="1"> <thead> <tr> <th>Halter Fitting</th> <th>Gewinde Thread</th> </tr> </thead> <tbody> <tr> <td>130.003</td> <td>1/8" AG</td> </tr> <tr> <td>130.134</td> <td>M5 AG</td> </tr> <tr> <td>130.591</td> <td>M5 AG</td> </tr> </tbody> </table>	Halter Fitting	Gewinde Thread	130.003	1/8" AG	130.134	M5 AG	130.591
Halter Fitting	Gewinde Thread							
130.003	1/8" AG							
130.134	M5 AG							
130.591	M5 AG							
5mm	1.2g							

210.016.063._						
	Materialcode 03 NR 12 verstärktes Silikon					
	<table border="1"> <thead> <tr> <th>Halter Fitting</th> <th>Gewinde Thread</th> </tr> </thead> <tbody> <tr> <td>130.193</td> <td>1/4" AG</td> </tr> <tr> <td>130.244</td> <td>M5 AG</td> </tr> </tbody> </table>	Halter Fitting	Gewinde Thread	130.193	1/4" AG	130.244
Halter Fitting	Gewinde Thread					
130.193	1/4" AG					
130.244	M5 AG					
6mm	1.6g					



210.016.156._	
	Materialcode
	04 CR 03 NR 05 Polyurethan 02 Silikon
Halter Fitting	Gewinde Thread
6mm	0.6g

210.016.205._	
	Materialcode
	05 Polyurethan
Halter Fitting	Gewinde Thread
130.013 130.094	M5 AG M5 AG
mm	0.0g

210.016.207._	
	Materialcode
	02 Silikon
Halter Fitting	Gewinde Thread
130.003 130.013 130.015 130.103	1/8" AG M5 AG 1/8" IG M 6 AG
mm	0.0g

210.017.007._	
	Materialcode
	03 NR
Halter Fitting	Gewinde Thread
mm	0.0g



210.018.067._		Materialcode	
		04 CR 03 NR 02 Silikon	
		Halter Fitting	Gewinde Thread
		130.040	M8 AG
		130.077	1/8" AG
		130.105	M 6 AG
		5.5mm	0.6g

210.018.068._		Materialcode	
		03 NR	
		Halter Fitting	Gewinde Thread
		130.003	1/8" AG
		130.015	1/8" IG
		130.104	M 6 AG
		130.134	M5 AG
		130.317	M5 AG
		5.5mm	2.0g

210.018.070._		Materialcode	
		03 NR	
		Halter Fitting	Gewinde Thread
		130.039	M6 AG
		130.040	M8 AG
		130.077	1/8" AG
		8mm	0.8g

210.018.071._		Materialcode	
		03 NR	
		Halter Fitting	Gewinde Thread
		130.021	1/8" AG
		mm	0.0g



210.018.097._										
	Materialcode 03 NR 05 Polyurethan 02 Silikon 12 verstärktes Silikon									
	<table border="1"> <thead> <tr> <th>Halter Fitting</th> <th>Gewinde Thread</th> </tr> </thead> <tbody> <tr> <td>130.033</td> <td>1/8" AG</td> </tr> <tr> <td>130.109</td> <td>1/8" IG</td> </tr> <tr> <td>130.134</td> <td>M5 AG</td> </tr> <tr> <td>130.238</td> <td>1/8" AG</td> </tr> </tbody> </table>	Halter Fitting	Gewinde Thread	130.033	1/8" AG	130.109	1/8" IG	130.134	M5 AG	130.238
Halter Fitting	Gewinde Thread									
130.033	1/8" AG									
130.109	1/8" IG									
130.134	M5 AG									
130.238	1/8" AG									
	<table border="1"> <thead> <tr> <th>Halter Fitting</th> <th>Gewinde Thread</th> </tr> </thead> <tbody> <tr> <td>0 5mm</td> <td>3 7g</td> </tr> </tbody> </table>	Halter Fitting	Gewinde Thread	0 5mm	3 7g					
Halter Fitting	Gewinde Thread									
0 5mm	3 7g									

210.018.178._												
	Materialcode 03 NR											
	<table border="1"> <thead> <tr> <th>Halter Fitting</th> <th>Gewinde Thread</th> </tr> </thead> <tbody> <tr> <td>130.238</td> <td>1/8" AG</td> </tr> <tr> <td>130.504</td> <td>1/4" AG</td> </tr> <tr> <td>130.560</td> <td>M5 AG</td> </tr> <tr> <td>130.568</td> <td>M5 AG</td> </tr> <tr> <td>130.630</td> <td>1/8" AG</td> </tr> </tbody> </table>	Halter Fitting	Gewinde Thread	130.238	1/8" AG	130.504	1/4" AG	130.560	M5 AG	130.568	M5 AG	130.630
Halter Fitting	Gewinde Thread											
130.238	1/8" AG											
130.504	1/4" AG											
130.560	M5 AG											
130.568	M5 AG											
130.630	1/8" AG											
	<table border="1"> <thead> <tr> <th>Halter Fitting</th> <th>Gewinde Thread</th> </tr> </thead> <tbody> <tr> <td>8mm</td> <td>2.0g</td> </tr> </tbody> </table>	Halter Fitting	Gewinde Thread	8mm	2.0g							
Halter Fitting	Gewinde Thread											
8mm	2.0g											

220.018.001._								
	Materialcode 06 EPDM 07 FKM 09 HNBR 03 NR							
	<table border="1"> <thead> <tr> <th>Halter Fitting</th> <th>Gewinde Thread</th> </tr> </thead> <tbody> <tr> <td>130.013</td> <td>M5 AG</td> </tr> <tr> <td>130.109</td> <td>1/8" IG</td> </tr> <tr> <td>130.238</td> <td>1/8" AG</td> </tr> </tbody> </table>	Halter Fitting	Gewinde Thread	130.013	M5 AG	130.109	1/8" IG	130.238
Halter Fitting	Gewinde Thread							
130.013	M5 AG							
130.109	1/8" IG							
130.238	1/8" AG							
	<table border="1"> <thead> <tr> <th>Halter Fitting</th> <th>Gewinde Thread</th> </tr> </thead> <tbody> <tr> <td>8mm</td> <td>2.0g</td> </tr> </tbody> </table>	Halter Fitting	Gewinde Thread	8mm	2.0g			
Halter Fitting	Gewinde Thread							
8mm	2.0g							

220.018.005._																		
	Materialcode 04 CR 06 EPDM 07 FKM 09 HNBR																	
	<table border="1"> <thead> <tr> <th>Halter Fitting</th> <th>Gewinde Thread</th> </tr> </thead> <tbody> <tr> <td>130.003</td> <td>1/8" AG</td> </tr> <tr> <td>130.013</td> <td>M5 AG</td> </tr> <tr> <td>130.015</td> <td>1/8" IG</td> </tr> <tr> <td>130.103</td> <td>M 6 AG</td> </tr> <tr> <td>130.105</td> <td>M 6 AG</td> </tr> <tr> <td>130.194</td> <td>1/4" AG</td> </tr> <tr> <td>130.275</td> <td>1/4" IG</td> </tr> <tr> <td>130.537</td> <td>M5 AG</td> </tr> </tbody> </table>	Halter Fitting	Gewinde Thread	130.003	1/8" AG	130.013	M5 AG	130.015	1/8" IG	130.103	M 6 AG	130.105	M 6 AG	130.194	1/4" AG	130.275	1/4" IG	130.537
Halter Fitting	Gewinde Thread																	
130.003	1/8" AG																	
130.013	M5 AG																	
130.015	1/8" IG																	
130.103	M 6 AG																	
130.105	M 6 AG																	
130.194	1/4" AG																	
130.275	1/4" IG																	
130.537	M5 AG																	
	<table border="1"> <thead> <tr> <th>Halter Fitting</th> <th>Gewinde Thread</th> </tr> </thead> <tbody> <tr> <td>8mm</td> <td>1.09g</td> </tr> </tbody> </table>	Halter Fitting	Gewinde Thread	8mm	1.09g													
Halter Fitting	Gewinde Thread																	
8mm	1.09g																	



220.018.012._	
	Materialcode
	05 Polyurethan
Halter Fitting	Gewinde Thread
130.024	M5 AG
130.033	1/8" AG
130.104	M6 AG
mm	0.0g

220.018.055._	
	Materialcode
	02 Silikon
Halter Fitting	Gewinde Thread
130.094	M5 AG
130.095	1/8" AG
130.096	1/8" IG
7mm	1.2g

220.018.063._	
	Materialcode
	04 CR 09 HNBR 03 NR 05 Polyurethan
Halter Fitting	Gewinde Thread
130.003	1/8" AG
130.013	M5 AG
130.015	1/8" IG
130.103	M 6 AG
130.194	1/4" AG
130.275	1/4" IG
8mm	1.8g

220.018.066._	
	Materialcode
	01 NBR
Halter Fitting	Gewinde Thread
130.238	1/8" AG
mm	0.0g



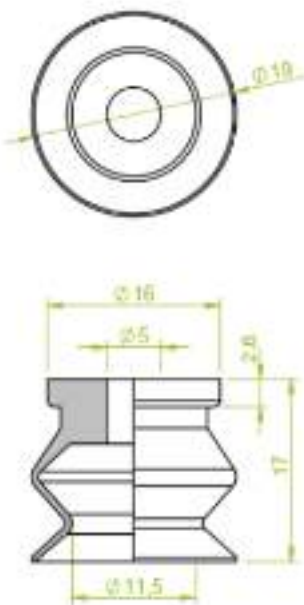


230.018.014._								
	Materialcode 02 Silikon							
	<table border="1"> <thead> <tr> <th>Halter Fitting</th> <th>Gewinde Thread</th> </tr> </thead> <tbody> <tr> <td>130.015</td> <td>1/8" IG</td> </tr> <tr> <td>130.104</td> <td>M 6 AG</td> </tr> <tr> <td>130.134</td> <td>M5 AG</td> </tr> </tbody> </table>	Halter Fitting	Gewinde Thread	130.015	1/8" IG	130.104	M 6 AG	130.134
Halter Fitting	Gewinde Thread							
130.015	1/8" IG							
130.104	M 6 AG							
130.134	M5 AG							
125mm	1.9g							

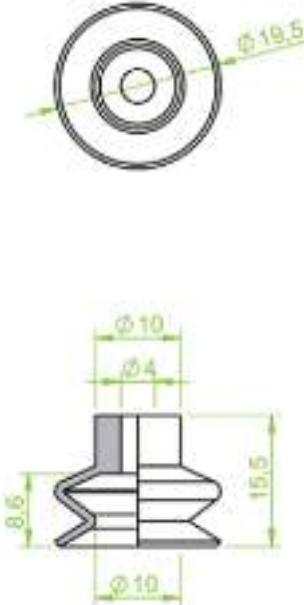


210.019.044._														
	Materialcode 04 CR 09 HNRR 03 NR 05 Polyurethan													
	<table border="1"> <thead> <tr> <th>Halter Fitting</th> <th>Gewinde Thread</th> </tr> </thead> <tbody> <tr> <td>130.003</td> <td>1/8" AG</td> </tr> <tr> <td>130.013</td> <td>M5 AG</td> </tr> <tr> <td>130.033</td> <td>1/8" AG</td> </tr> <tr> <td>130.103</td> <td>M 6 AG</td> </tr> <tr> <td>130.109</td> <td>1/8" IG</td> </tr> <tr> <td>130.194</td> <td>1/4" AG</td> </tr> </tbody> </table>	Halter Fitting	Gewinde Thread	130.003	1/8" AG	130.013	M5 AG	130.033	1/8" AG	130.103	M 6 AG	130.109	1/8" IG	130.194
Halter Fitting	Gewinde Thread													
130.003	1/8" AG													
130.013	M5 AG													
130.033	1/8" AG													
130.103	M 6 AG													
130.109	1/8" IG													
130.194	1/4" AG													
4mm	1./g													

210.019.059._						
	Materialcode V Vinyl					
	<table border="1"> <thead> <tr> <th>Halter Fitting</th> <th>Gewinde Thread</th> </tr> </thead> <tbody> <tr> <td>130.039</td> <td>M6 AG</td> </tr> <tr> <td>130.059</td> <td>1/8" AG</td> </tr> </tbody> </table>	Halter Fitting	Gewinde Thread	130.039	M6 AG	130.059
Halter Fitting	Gewinde Thread					
130.039	M6 AG					
130.059	1/8" AG					
mm	0.0g					

210.019.060._				
	Materialcode V Vinyl			
	<table border="1"> <thead> <tr> <th>Halter Fitting</th> <th>Gewinde Thread</th> </tr> </thead> <tbody> <tr> <td>130.059</td> <td>1/8" AG</td> </tr> </tbody> </table>	Halter Fitting	Gewinde Thread	130.059
Halter Fitting	Gewinde Thread			
130.059	1/8" AG			
mm	0.0g			



210.019.093_	
	Materialcode
	V Vinyl
Halter Fitting	Gewinde Thread
130.013	M5 AG
130.039	M6 AG
	
mm	0.0g

210.019.155_	
	Materialcode
	04 CR 09 HNBR 03 NR 05 Polyurethan
Halter Fitting	Gewinde Thread
130.003	1/8" AG
130.013	M5 AG
130.103	M6 AG
130.109	1/8" IG
130.194	1/4" AG
	
4mm	1.7g